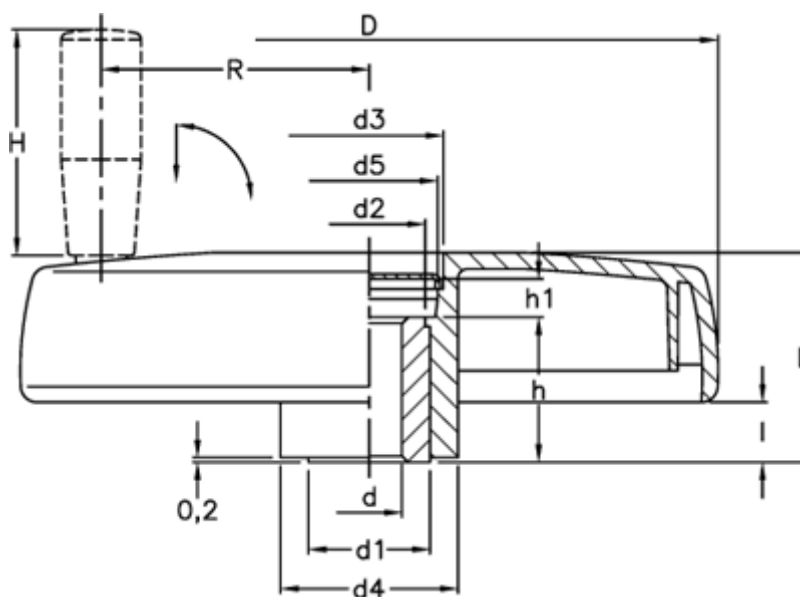


Article number: 2301072971

Description: E+G Handwheel
VDS.300+IR-A20

Measures



C (N m)	= 500	H	= 90
D	= 300	h	= 44
d1	= 40	h1	= 20.0
d2	= 36.5	l	= 20.0
d3	= 68.5	L	= 66
d4	= 72	L (J)	= 30
d5	= 66.0	R	= 124
d H7	= 20		